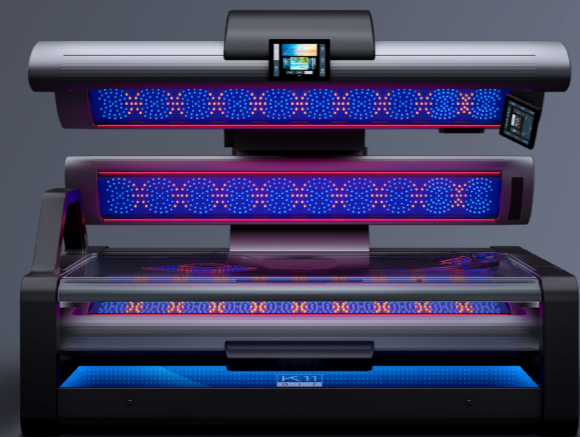


# PRICELIST · AUGUST 2024



REDEFINING SUNSHINE

# K11 AIR



## COLOR OPTIONS

Black	Wonder White
Space Grey	White

# K11 AIR LOFT



## COLOR OPTIONS

Frozen Silver	Wonder White
Black	White

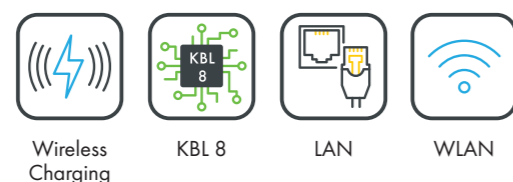
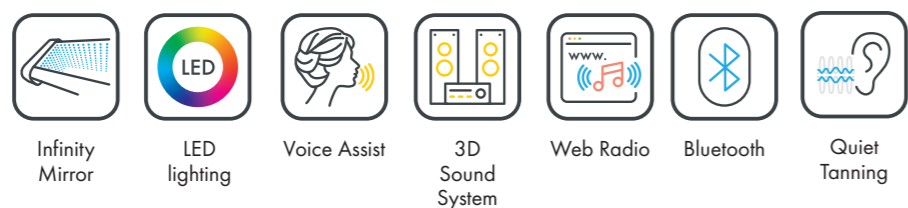
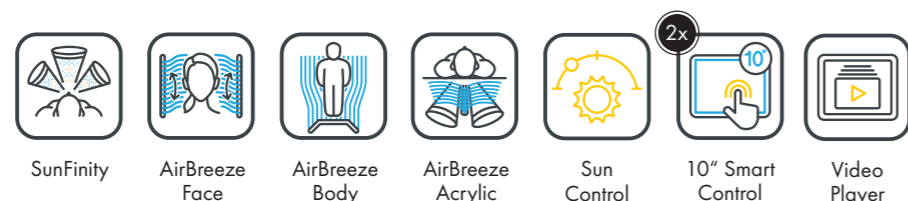
## YOUR INDIVIDUAL SUN!

Through LED-technology, new innovative paths are opening up, as for the first time, the individual spectrums of UVA, UVB, and Redlight are variably controllable.

CHASSIS	PRICE EXCL. VAT IN EURO
K11 Air	99.900,-
K11 Air LOFT	104.900,-

2010 x	UVA LEDs
552 x	UVB LEDs
>4800 x	Nano Beauty LEDs

## STANDARD



## PRICE EXCL. VAT IN EURO



## POWER CONSUMPTION

min. 3,5 kW  
max. 6,5 kW / 6,95 kW (with AC)

## ACCESSOIRES

### PRICE EXCL. VAT IN EURO

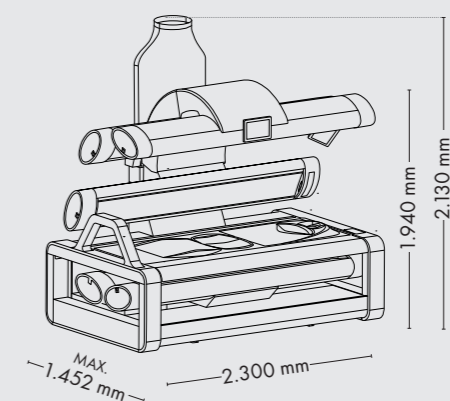
• Exhaust air duct	680,-
• Exhaust air hose (Ø 300 mm, length 3m, 2 hose clamps)	145,-
• Thermostatic cabin temperature controlling	280,-
• megaTimer	350,-

## DIMENSIONS

in mm (LENGTH x WIDTH x HEIGHT)

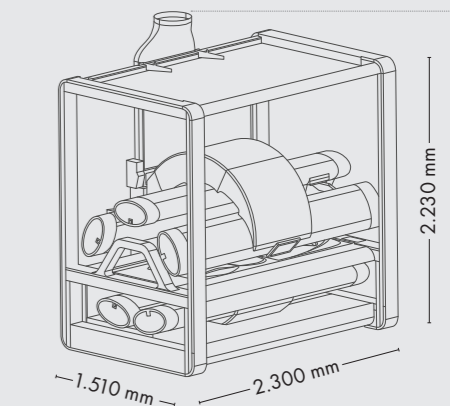
### K11 Air

2.300 mm x 1.411 mm x 1.940 mm\* (open)  
2.300 mm x 1.452 mm x 1.580 mm\* (closed)



### K11 Air LOFT

2.300 mm x 1.510 mm x 2.230 mm\*



THERE SHOULD BE A MINIMUM OF 50 MM WALL CLEARANCE ON EACH SIDE.

\* excl. exhaust air duct



[www.megaSun.de](http://www.megaSun.de)

KBL GmbH – The Beauty & Health Company · Ringstraße 24-26 · 56307 Dernbach · fon +49 (0) 26 89 - 94 26 - 0 · fax +49 (0) 26 89 - 94 26 - 66 · e-mail: [info@kbl.de](mailto:info@kbl.de)

**This pricelist is valid from 08/2024.**

Art.Nr.: 3010196399